

Vandal-proof Combination Units SLWN 08P



SLWN 08P

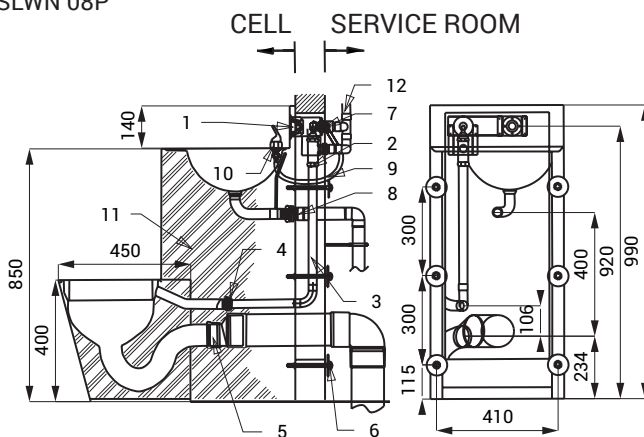
Characteristics



- **vandal-proof**
- **suitable for prison**
- corner combination with toilet, washbasin, washbasin spout and a toilet paper hole
- push button for washbasin spout
- push button for toilet flushing
- floor standing toilet on the right side
- filled with expanded polyurethane (to avoid dents and typical metal noise)
- **rear assembling by screws (M10, length 190 mm), from the service room**
- material stainless steel AISI 304 (1.4301)
- brushed finish

Dimensions

SLWN 08P



- 1 - push buttons for toilet flushing and washbasin spout
- 2 - toilet flushing valve - male thread G 3/4"
- 3 - connecting pipe between toilet push button valve to the toilet
- 4 - connection to the toilet
- 5 - waste outlet connection (Ø 100 mm) from toilet (is not included)
- 6 - M10 screw (length 190 mm) + anchor + nut (6 pcs.)
- 7 - washbasin valve - male thread G 1/2"
- 8 - waste outlet pipe from the washbasin (is not included)
- 9 - connecting hose between push button and washbasin spout
- 10 - washbasin spout
- 11 - filled with expanded polyurethane
- 12 - water inlet (is not included)

Technical Specification

Dimensions	990 x 686 x 686 mm
Weight	30 kg
Recommended flow pressure	0,15 - 0,5 MPa
Rate of flow	70 l/min. by the pressure 0,15 MPa (inf. data)
Water inlet	
▪ WC	Ø min. 32 mm (PN 16) male thread G 3/4"
▪ washbasin	male thread G 1/2"

Supply Specification

SLWN 08P - Supply No. 94082 stainless steel combination unit with toilet and washbasin, push button (2 pcs.), washbasin spout, screws M10 (6 pcs.), set for connection