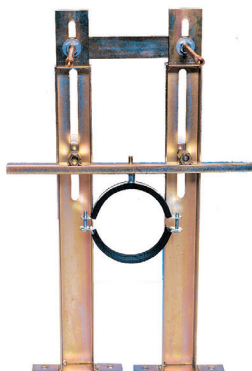


Mounting Frame for Toilets SLR 03Z

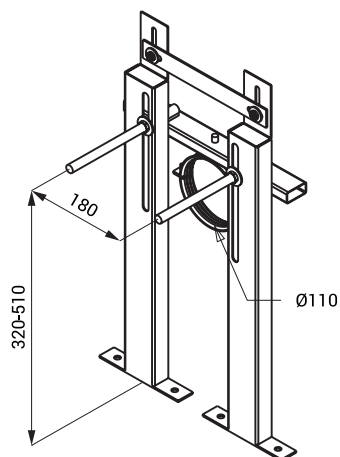
Characteristics

- is designed for the brick wall
- is designed for mounting of wall hung toilets at fixed distance 180 mm
- holder of waste is movable in vertical direction
- mounting screws M12, waste pipe holder $\varnothing 110$ mm

SLR 03Z



Dimensions



Supply Specification

SLR 03Z - Supply No. 08033 mounting frames for the brick wall for wall hung toilets, mounting screws M12