

# Stainless Steel Drinking Fountains SLUN 43C, SLUN 43CS



SLUN 43C

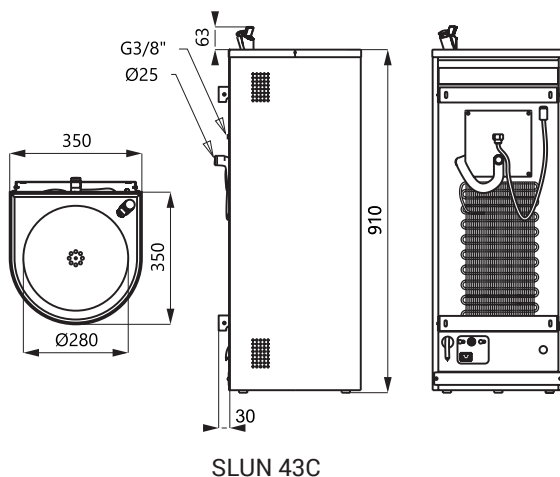


SLUN 43CS

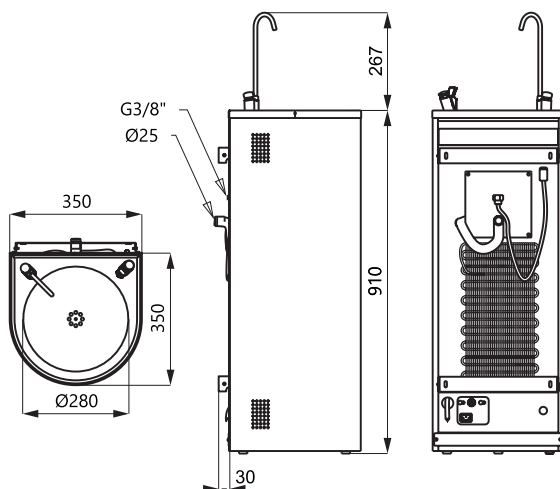
## Characteristic

- stainless steel floor standing drinking fountain with self closing drinking spout and cooler (SLUN 43C)
- stainless steel floor standing drinking fountain with self closing drinking spout and bottle filler, cooler (SLUN 43CS)
- cooler temperature range 4 - 10 °C
- mounting to the wall
- water flow regulation on drinking spout and bottle filler
- filled with expanded polyurethane (to avoid dents and typical metal noise)
- material stainless steel AISI 304 (1.4301)
- inner bowl polished finish, apron brushed finish

## Dimensions



SLUN 43C



SLUN 43CS

## Technical Specification

### Dimensions

- SLUN 43C 973 x 350 x 350 mm
- SLUN 43CS 1177 x 350 x 350 mm

### Weight

- SLUN 43C 22,06 kg
- SLUN 43CS 17,2 kg

### Operating voltage

230 V AC

### Power input

55 W

### Recommended flow pressure

0,15 - 0,25 MPa

### Rate of flow

1,4 l/min. (inf. data)

### Water inlet

male thread G 1/2"

## Supply Specification

**SLUN 43C - Supply No. 83438**  
**SLUN 43CS - Supply No. 83439**

stainless steel drinking fountain, self closing drinking spout, bottle filler (SLUN 43CS), cooler, siphon, mounting set, flexible cable with plug for wall socket, 230 V AC, 50 Hz