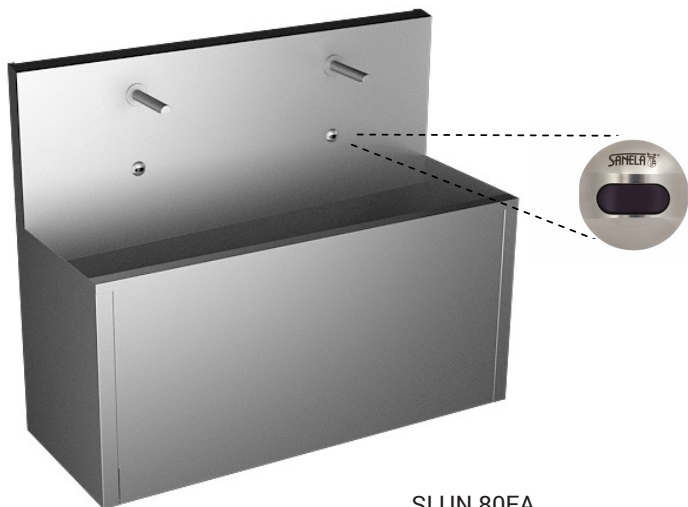


Stainless Steel Automatic Washing Trough SLUN 80EA



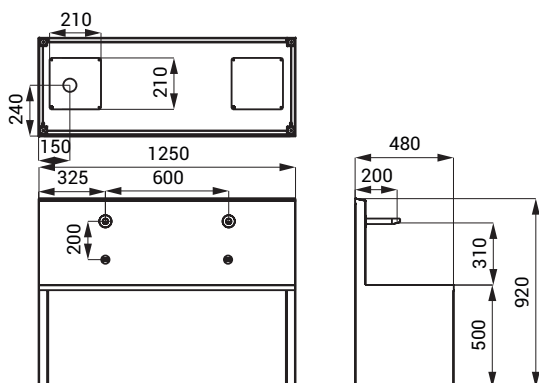
SLUN 80EA

Characteristics



- economical aerator, rate of flow 6 l/min
- hygienic flush
- vandal-proof
- suitable for a prison
- with a complete apron
- stainless steel wall hung washing trough with integrated electronics
- vandal-proof stainless steel spouts and sensing heads
- water is flowing as long as hands are in the active range
- water stops flowing after removal of hands from the active range of sensor after adjustable time delay (can be set in range 0,25 - 7,75 s)
- function of automatic water stop after 5 min of continuous flow
- monitoring of battery capacity (for models with index B)
- START/STOP program
- parameter adjustment using by the remote control SLD 03
- different lengths could be made to order
- material AISI - 304
- could be made to order from stainless steel AISI - 316L
- brushed finish

Dimensions



Technical Specification

Operating voltage	24 V DC
Power input	14 W
Active range	0,23 - 0,31 m
Recommended flow pressure	0,1 - 0,6 MPa
Rate of flow	6 l/min. (inf. data)
Water inlet	male thread G 1/2"

Supply Specification

SLUN 80EA - Supply No. 93802 stainless steel washing trough with electronics (2 pcs.), spout (2 pcs.), electromagnetic valve (2 pcs.), connecting hoses, angle valve with filter (2 pcs.), siphon, mounting set

Recommended Accessories

SLZ 01Y - Supply No. 05012	power supply 24 V DC for operating of max. 2 pcs. of washing troughs
SLZ 01Z - Supply No. 05011	power supply 24 V DC for operating of max. 4 pcs. of washing troughs
SLZ 04Y - Supply No. 05042	power supply 24 V DC for DIN rail, for operating of max. 2 pcs. of washing troughs
SLZ 04Z - Supply No. 05041	power supply 24 V DC for DIN rail, for operating of max. 4 pcs. of washing troughs
SLZ 04X - Supply No. 10049	power supply 24 V DC for DIN rail, for operating of max. 7 pcs. of washing troughs
SLD 03 - Supply No. 07030	remote control for an adjustment of parameters
SLA 56A - Supply No. 06560	economical aerator 3,8 l/min
SLA 56B - Supply No. 06561	economical aerator 1,9 l/min