

Stainless Steel Automatic Drinking Fountains

SLUN 62E, SLUN 62ES



SLUN 62E

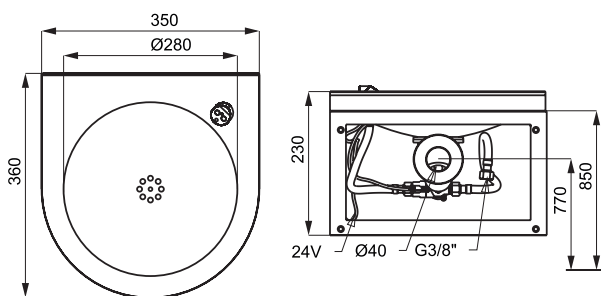
SLUN 62ES

Characteristics

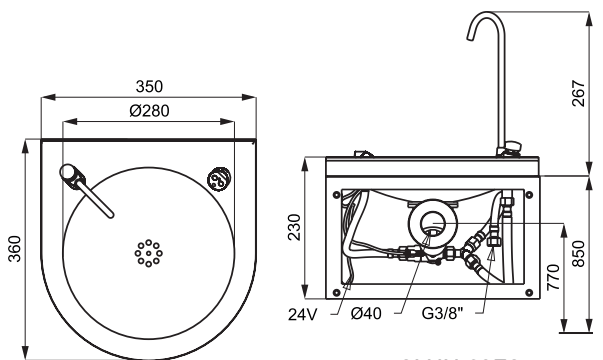


- **hygienic flush**
- stainless steel wall hung drinking fountain with automatic infra-red drinking spout (SLUN 62E)
- stainless steel wall hung drinking fountain with automatic infra-red drinking spout and bottle filler (SLUN 62ES)
- system reacts to the user's face in front of the sensor
- water stops after user leaving the active range of the sensor
- function of automatic water stop after 5 minut of continuous flow
- monitoring of battery capacity (for models with index B)
- START/STOP program
- parameter adjustment using by the remote control SLD 03
- water flow regulation on drinking spout
- material stainless steel AISI 304 (1.4301)
- brushed finish

Dimensions



SLUN 62E



SLUN 62ES

Technical Specification

Dimensions

- SLUN 62E 230 x 360 x 350 mm
- SLUN 62EB 230 x 360 x 350 mm
- SLUN 62ES 497 x 360 x 350 mm
- SLUN 62ESB 497 x 360 x 350 mm

Weight

- SLUN 62E 4 kg
- SLUN 62EB 4,5 kg
- SLUN 62ES 4,4 kg
- SLUN 62ESB 4,9 kg

Operating voltage

- SLUN 62E, SLUN 62ES 24 V DC
- SLUN 62EB, SLUN 62ESB 6 V

Power input

- operating by 24 V DC 7 W
- operating by 6 V 3 W

Battery life

- 4 pcs. AA alkaline batteries approx. 2 years (100 uses per day)

Active range

- 0,23 - 0,31 m

Recommended flow pressure

- 0,1 - 0,6 MPa

Rate of flow

- 0,4 l/min. (inf. data)

Water inlet

- male thread G 1/2"

Supply Specification

- SLUN 62E - Supply No. 93621 stainless steel drinking fountain, drinking spout with electronics, bottle filler
- SLUN 62EB - Supply No. 93622 (for models with index S), electromagnetic valve (1 pc.), angle valve with filter (1 pc.),
- SLUN 62ES - Supply No. 83626 connecting hoses, siphon, mounting set, 4 pcs. AA alkaline batteries 1,5 V, 2700 mAh
- SLUN 62ESB - Supply No. 83627 (for models with index B)

Recommended Accessories

| | | |
|---------|--------------------|--------------------------------------------------------------------------------|
| SLZ 01Y | - Supply No. 05012 | power supply 24 V DC for operating of max. 5 pcs. of spouts |
| SLZ 01Z | - Supply No. 05011 | power supply 24 V DC for operating of max. 9 pcs. of spouts |
| SLZ 04Y | - Supply No. 05042 | power supply 24 V DC for DIN rail, for operating of max. 5 pcs. of spouts |
| SLZ 04Z | - Supply No. 05041 | power supply 24 V DC for DIN rail, for operating of max. 9 pcs. of spouts |
| SLZ 04X | - Supply No. 10049 | power supply 24 V DC for DIN rail, for operating of max. 15 pcs. of spouts |
| SLD 03 | - Supply No. 07030 | remote control for an adjustment of parameters |
| SLA 36 | - Supply No. 06360 | set of 4 pcs. alkaline batteries AA, 1,5 V, 2700 mAh (for models with index B) |