

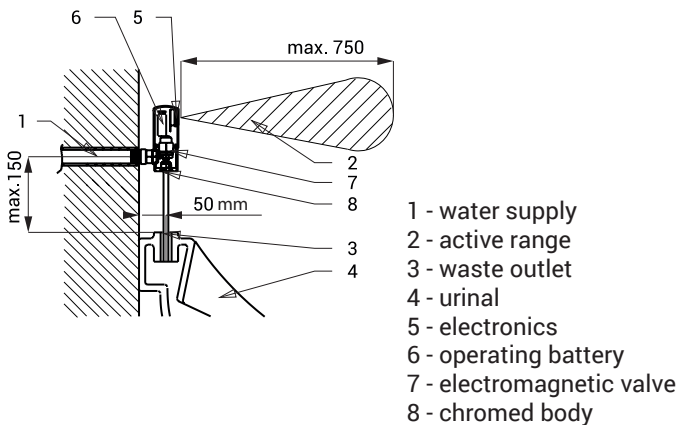
Automatic Wall-mounted Urinal Flushing Unit SLP 09K



Characteristics

- for urinals with upper inlet
- system reacts to the user attendance in front of the urinal at a maximum distance of 0,7 m, minimum stay time in active range is 7,5 s
- water flows after the user leaves active range
- adjustable flushing time 0,5 - 15,5 s
- parameters adjustment by remote control SLD 03
- automatic hygiene flushing after 24 hours non-use
- monitoring of battery capacity
- water flow could be regulated by ball valve

Installation Drawing



Technical Specification

Dimension of the flushing unit body	40 x 50 mm
Operating voltage	9 V
Power input	
▪ operating by 9 V	2 W
Battery life	
▪ lithium 9 V/1200 mAh	approx. 2 years (100 uses per day)
Active range	0,6 - 0,75 m
Recommended flow pressure	0,1 - 0,6 MPa
Rate of flow	18 l/min (inf.data)
Water inlet	male thread G 1/2"
Water outlet	stainless steel tube with outer diameter 15 mm
Length of the tube	205 mm

Supply Specification

SLP 09K - Supply No. 01092 chromed body with electronics, cartridge valve, ball valve with brass screw coupling, stainless steel cover, waste pipeline, rubber sealing, lithium battery SLA 09

Recommended Accessories

SLD 03 - Supply No. 07030 remote control for an adjustment of parameters
SLA 09 - Supply No. 06090 lithium battery 9 V/1200 mAh