

Piezo Stainless Steel Shower Panel SLZA 21PH



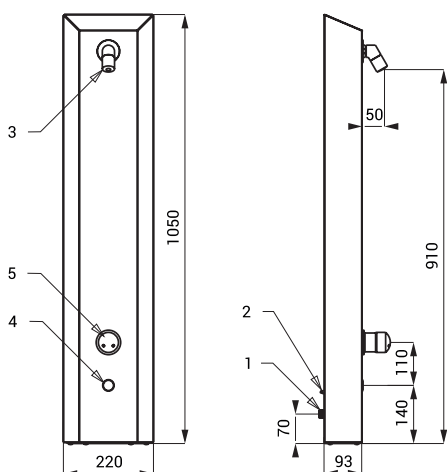
SLZA 21PH

Characteristics



- hygienic flush
- vandal-proof
- wall hung shower panel with piezo button for automatic device with index N
- is designed for cold and hot water, temperature is regulated by mixer

Installation Drawing



- 1 - water supply
- 2 - power supply from the device
- 3 - shower head
- 4 - piezo button
- 5 - mixer

Technical Specification

Dimension	1050 x 220 x 143 mm
Recommended flow pressure	0,1 - 0,6 MPa
Rate of flow	9 l/min. (inf. data)
Water inlet	male thread G 1/2"

Supply Specification

SLZA 21PH - Supply No. 88218 stainless steel shower panel, electromagnetic valve (1 pc.), mixer, connecting hoses, angle valve with filter and check valve (2 pcs.)

Designed for Products

SLZA 01N	- Supply No. 88013	coin and token automatic device for one to three showers
SLZA 01NZ	- Supply No. 88014	coin and token automatic device for one to three showers
SLZA 01LN	- Supply No. 88017	coin and token automatic device for one to three showers
SLZA 01LNZ	- Supply No. 88018	coin and token automatic device for one to three showers
SLZA 02N	- Supply No. 88023	coin and token automatic device for four to twelve showers
SLZA 02NZ	- Supply No. 88024	coin and token automatic device for four to twelve showers
SLZA 02LN	- Supply No. 88029	coin and token automatic device for four to eight showers
SLZA 02LNZ	- Supply No. 88020	coin and token automatic device for four to eight showers
SLZA 03N	- Supply No. 88033	coin and token automatic device for one shower
SLZA 03NZ	- Supply No. 88034	coin and token automatic device for one shower