

# Automatic Device for Shower, Multiple Payment Methods SLZA 43S



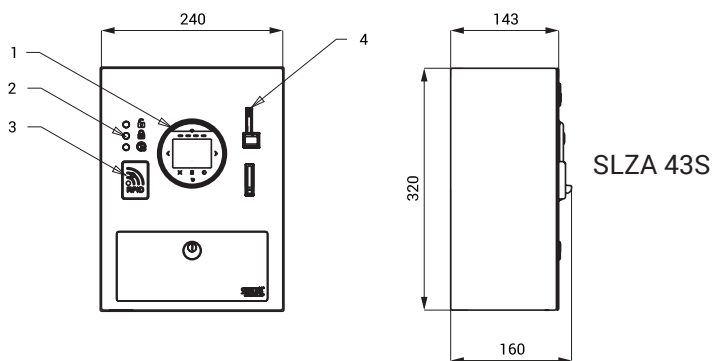
SLZA 43S

## Characteristics



- includes Bluetooth control (paid Sanela control app available for download)
- **vandal-proof**
- automatic device for showers, multiple payment methods, 1 - 4 showers
- shower selection is made on the display of the payment terminal
- **interactive control**
  - after payment the device starts water flow in the selected shower for the paid time
  - the user can start or stop the water directly in the shower
- 30 s before the end of water supply the user is warned by interrupting of water flow
- payment with coins, tokens, RFID tokens, contactless payment card, Google Pay or Apple Pay
- the device adds up the coins but does not return
- automatic notification when the cash register is full as an option
- parameter setting and communication with the electronics via the Sanela Control app (Bluetooth) (adjustment of shower time according to the thrown coin or token, time delay of switch on, possibility of activation of hygienic flush, current euro exchange, token value)
- lockable
- for indoor use, temperature range +5 to +40 °C
- material AISI-304
- brushed finish

## Installation Drawing



- 1 - credit card reader
- 2 - status indicator
- 3 - RFID token credit value reader
- 4 - coin box

## Technical Specification

<b>Dimensions</b>	320 x 240 x 160 mm
<b>Weight</b>	7,85 kg
<b>Thickness of material</b>	
▪ the front cover	3 mm
▪ box	1,5 mm
<b>Operating voltage</b>	24 V DC
<b>Power input in sleep mode</b>	8 W
<b>Power input with output switched on (of 1 device)</b>	14,5 W
<b>Power input with output switched on (of 2 devices)</b>	21 W
<b>Accepted coins</b>	0,5, 1 and 2 EUR
<b>Adjustable time for switch</b>	0 - 300 sec.
<b>Adjustable time</b>	1 - 1200 sec.
<b>Adjustable minimum value for switch</b>	1 €

## Supply Specification

**SLZA 43S - Supply No. 88434** stainless steel payment device with electronics including Bluetooth module, coin box, coin holder, credit card reader, RFID token credit value reader, set of keys (2 pcs.), SW shower

## Required Accessories



**SLZA 20P**

**88207**

Shower control with piezo button  
- premixed water



**SLZA 20PH**

**88208**

Shower control with piezo button  
- for cold and hot water, temperature regulated  
by mixer



**SLZA 20PT**

**88209**

Shower control with piezo button  
- for cold and hot water, temperature regulated  
by thermostatic mixer

- thermostatic valve nut spanner SLA 64



**SLZA 21P**

**88217**

Stainless steel shower panel with piezo  
button - premixed water



**SLZA 21PH**

**88218**

Stainless steel shower panel with piezo  
button - for cold and hot water, temperature  
regulated by mixer



**SLZA 21PT**

**88219**

Stainless steel shower panel with piezo  
button - for cold and hot water, temperature  
regulated by thermostatic mixer

## Recommended Accessories

- SLZ 01Y - Supply No. 05012 power supply 24 V DC for operating of max. 1 pc. of device and 3 pcs. of showers
- SLZ 01Z - Supply No. 05011 power supply 24 V DC for operating of max. 2 pcs. of devices and 7 pcs. of showers
- SLZ 04Y - Supply No. 05042 power supply 24 V DC for DIN rail, for operating of max. 1 pc. of device and 3 pcs. of showers
- SLZ 04Z - Supply No. 05041 power supply 24 V DC for DIN rail, for operating of max. 2 pcs. of devices and 7 pcs. of showers
- SLZ 04X - Supply No. 10049 power supply 24 V DC for DIN rail, for operating of max. 3 pcs. of devices and 11 pcs. of showers
- SLZA 30 - Supply No. 89300 programming station for RFID tokens
- SLZA 30C - Supply No. 89301 RFID token credit value reader
- SLZA 30CZ - Supply No. 89302 RFID token credit value reader - recessed
- SLZA 38 - Supply No. 89380 programming station for RFID tokens
- SLZA 50 - Supply No. 88500 set of 50 pcs. of tokens for coin device
- SLZA 51 - Supply No. 88510 set of 50 pcs. of plastic RFID tokens for token devices, yellow color
- SLZA 51B - Supply No. 88511 set of 50 pcs. of plastic RFID tokens for token devices, blue color
- SLZA 51R - Supply No. 88512 set of 50 pcs. of plastic RFID tokens for token devices, red color (logo on the token is not possible)
- SLZA 55 - Supply No. 88551 set of RFID bracelets, yellow colour
- SLZA 58 - Supply No. 85580 set of parts for niche mounting the SLZA 43xx
- SLA 64 - Supply No. 06640 thermostatic valve nut spanner (SLZA 20PT)
- SANELA CONTROL APP available for download on the App Store and Play Store



SLZA 30C



SLZA 38



SLZA 30CZ



SLZA 30



SLZA 50



1 pc. from set of 50 pcs. tokens SLZA 51



1 pc. from set of 50 pcs. tokens SLZA 51B



1 pc. from set of 50 pcs. tokens SLZA 51R



SLZA 55



SLZA 58