

Stainless Steel Shower Seat, Folding SLZM 06



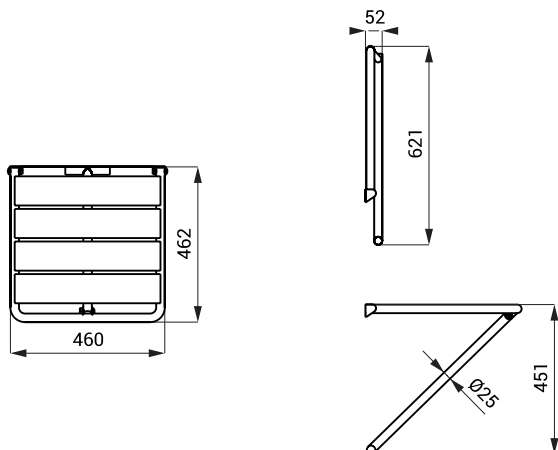
SLZM 06

Characteristics



- for disabled and persons with limited mobility
- stainless steel shower seat, folding
- weight load resistance up to 150 kg
- mounting set
- dimensions 460 x 462 mm
- brushed finish

Dimensions



Supply Specification

SLZM 06 - Supply No. 49060 stainless steel shower seat, mounting set