

Automatic Washbasin Taps SLU 08L, SLU 08LD



SLU 08LD

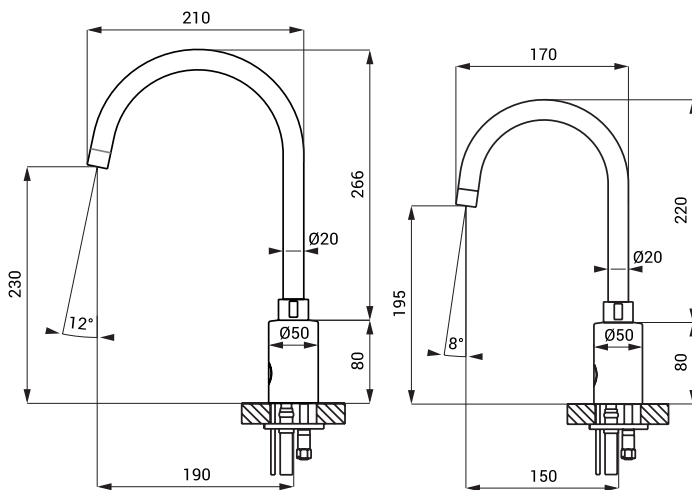
SLU 08L

Characteristics



- economical aerator, rate of flow 6 l/min
- hygienic flush
- suitable for medical facilities
- swivel faucet
- index „D“ - higher faucet
- are destined for cold and hot water, temperature is regulated by angle valves
- water is flowing as long as hands are in the active range
- water stops flowing after removal of hands from the active range of sensor after adjustable time delay (can be set in range 0,25 – 7,75 s)
- function of automatic water stop after 5 minut of continuous flow
- monitoring of battery capacity (for models with index B)
- START/STOP program
- parameter adjustment using by the remote control SLD 03

Dimensions



SLU 08LD

SLU 08L

Technical Specification

Operating voltage

- SLU 08L, 08LD 24 V DC
- SLU 08LB, 08LDB 6V

Power input

- operating by 24 V DC 14 W
- operating by 6 V 6 W

Battery life

- 4 pcs. AA alkaline batteries approx. 2 years (100 uses per day)
- AA, 1,5 V, 2700 mAh

Active range

- standard 0,2 - 0,26 m
- START/STOP program 0,05 - 0,15 m

Recommended flow pressure

- 0,1 - 0,6 MPa

Rate of flow

- 13 l/min. or 6 l/min. (inf. data)

Water inlet

- male thread G 1/2"

Supply Specification

- | | | |
|-----------|--------------------|---|
| SLU 08L | - Supply No. 13085 | faucet with an electronics, solenoid valve, Y piece fitting and hoses |
| SLU 08LB | - Supply No. 13185 | set with integrated check valves, coupling hoses, angle valve with filter (2 pcs.), |
| SLU 08LD | - Supply No. 13087 | aerator 6 l/min, 4 pcs. AA alkaline batteries 1,5 V, 2700 mAh with battery case |
| SLU 08LDB | - Supply No. 13180 | (for models with index B) |

Recommended Accessories

- | | | |
|---------|--------------------|--|
| SLZ 01Y | - Supply No. 05012 | power supply 24 V DC for operating of max. 5 pcs. of washbasin taps |
| SLZ 01Z | - Supply No. 05011 | power supply 24 V DC for operating of max. 9 pcs. of washbasin taps |
| SLZ 04Y | - Supply No. 05042 | power supply 24 V DC for DIN rail, for operating of max. 5 pcs. of washbasin taps |
| SLZ 04Z | - Supply No. 05041 | power supply 24 V DC for DIN rail, for operating of max. 9 pcs. of washbasin taps |
| SLZ 04X | - Supply No. 10049 | power supply 24 V DC for DIN rail, for operating of max. 15 pcs. of washbasin taps |
| SLZ 06 | - Supply No. 05060 | power supply 24 V DC for operating of max. 1 pc. of washbasin tap |
| SLD 03 | - Supply No. 07030 | remote control for an adjustment of parameters |
| SLA 36 | - Supply No. 06360 | set of 4 pcs. alkaline batteries AA, 1,5 V, 2700 mAh (for models with index B) |