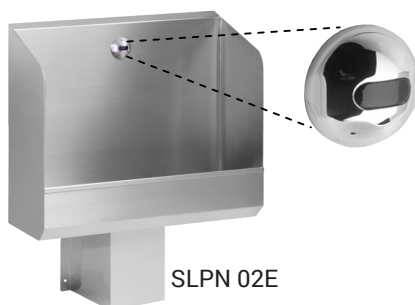


# Stainless Steel Automatic Urinal Troughs

## SLPN 02E, SLPN 03E, SLPN 04E, SLPN 05E



SLPN 02E



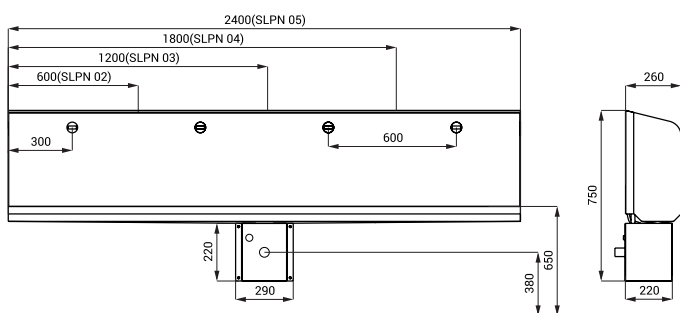
SLPN 05E

### Characteristics



- vandal-proof
- stainless steel wall hung urinal trough with integrated infra-red electronics
- every flushing unit reacts independently to the user attendance in front of the urinal at a maximum distance max. 0,7 m, minimum stay time in active range is 7,5 s
- adjustable flushing time 0,5 - 15,5 s
- parameters adjustment by remote control SLD 03
- automatic hygiene flushing after 24 hours non-use
- different lengths could be made to order
- material AISI - 304
- brushed finish

### Dimensions



### Technical Specification

<b>Operating voltage</b>	24 V DC
<b>Power input</b>	
▪ SLPN 02E	7 W
▪ SLPN 03E	14 W
▪ SLPN 04E	21 W
▪ SLPN 05E	28 W
<b>Active range</b>	0,6 - 0,75 m
<b>Recommended flow pressure</b>	0,1 - 0,6 MPa
<b>Rate of flow</b>	12 l/min. by the pressure 0,3 MPa for 1 flushing head (inf. data)
<b>Water inlet</b>	male thread G 1/2"

\* for the height of the front edge of the urinal 650 mm above the floor

### Supply Specification

<b>SLPN 02E - Supply No. 91021</b>	stainless steel urinal trough 600 mm with flushing head and electronics (1 pc.), electromagnetic valve (1 pc.), angle valve with a filter, connecting hoses, mounting set, cover for siphon, siphon
<b>SLPN 03E - Supply No. 91031</b>	stainless steel urinal trough 1200 mm with flushing head and electronics (2 pcs.), electromagnetic valve (2 pcs.), angle valve with a filter, mounting set, cover for siphon, siphon
<b>SLPN 04E - Supply No. 91041</b>	stainless steel urinal trough 1800 mm with flushing head and electronics (3 pcs.), electromagnetic valve (3 pcs.), angle valve with a filter, mounting set, cover for siphon, siphon
<b>SLPN 05E - Supply No. 91051</b>	stainless steel urinal trough 2400 mm with flushing head and electronics (4 pcs.), electromagnetic valve (4 pcs.), angle valve with a filter, mounting set, cover for siphon, siphon

### Recommended Accessories

<b>SLZ 01Y - Supply No. 05012</b>	power supply 24 V DC for operating of max. 5 pcs. of electromagnetic valves
<b>SLZ 01Z - Supply No. 05011</b>	power supply 24 V DC for operating of max. 9 pcs. of electromagnetic valves
<b>SLZ 04Y - Supply No. 05042</b>	power supply 24 V DC on DIN rail, for operating of max. 5 pcs. of electromagnetic valves
<b>SLZ 04Z - Supply No. 05041</b>	power supply 24 V DC on DIN rail, for operating of max. 9 pcs. of electromagnetic valves
<b>SLZ 04X - Supply No. 10049</b>	power supply 24 V DC on DIN rail, for operating of max. 15 pcs. of electromagnetic valves
<b>SLZ 06 - Supply No. 05012</b>	power supply 24 V DC for operating of max. 1 pc. of electromagnetic valve
<b>SLD 03 - Supply No. 07030</b>	remote control for an adjustment of parameters