

# Ceramic Urinal with the Radar Flushing Unit SLP 07RS



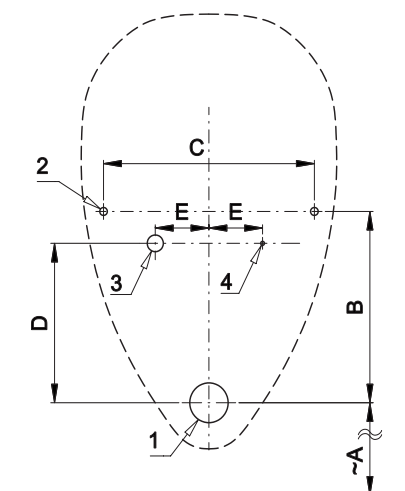
SLP 07 - NOVA PRO FELIX

## Characteristics



- includes Bluetooth control (Sanela Control app available for download)
- economy flushing by 1 liter of water
- easy installation by the help of paper drill template
- whole flushing unit is placed behind the urinal
- system reacts only on the direct use of the urinal (it analyses changes, which are proceeded inside of the urinal, when a liquid is flowing through)
- adjustable flushing time 0,5 - 15,5 s
- parameter setting and communication with the electronics via the Sanela Control app (Bluetooth) or the SLD 04 remote control (acoustic indication of setting) without dismantling the urinal
- automatic flushing after each 6 hours non-use
- possibility to regulate a water flow by the angle valve
- radar flushing unit recharges a water to the siphon after each flushing

## Installation Drawing



Dimensions (mm)	A	B	C	D	E	F	G	H
NOVA PRO FELIX	390	240	275	200	70	360	45	205

\* for the height of the front edge of the urinal 650 mm above the floor

## Technical Specification

### Operating voltage

- SLP 07RS 24 V DC
- SLP 07RZ 230 V AC/50 Hz
- SLP 07RB 6 V

### Power input

- operating by 24 V DC 8 W
- operating by 6 V 3 W

### Recommended flow pressure

0,1 - 0,6 MPa

### Rate of flow

18 l/min (inf. data)

### Water inlet

male thread G 1/2"

### Water outlet

inlet fitting with a rubber sealing



SLA 10



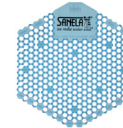
SLA 11



SLA 11A



SLA 11B



SLA 11C

## Supply Specification

- SLP 07RS - Supply No. 11075
- SLP 07RZ - Supply No. 01075
- SLP 07RB - Supply No. 11077

ceramic urinal with radar flushing unit including Bluetooth module, electromagnetic valve, connecting hoses, angle valve with filter and check valve, inlet fitting with a rubber sealling, siphon, mounting set, paper drill template, power supply (SLP 07RZ), 4 pcs. AA alkaline batteries, 1,5 V 2700 mAh with battery case (SLP 07RB)

## Recommended Accessories

SLZ 01Y	- Supply No. 05012	power supply 24 V DC for operating of max. 5 pcs. of flushing units
SLZ 01Z	- Supply No. 05011	power supply 24 V DC for operating of max. 9 pcs. of flushing units
SLZ 04Y	- Supply No. 05042	power supply 24 V DC on DIN rail, for operating of max. 5 pcs. of flushing units
SLZ 04Z	- Supply No. 05041	power supply 24 V DC on DIN rail, for operating of max. 9 pcs. of flushing units
SLZ 04X	- Supply No. 10049	power supply 24 V DC on DIN rail, for operating of max. 15 pcs. of flushing units
SLZ 06	- Supply No. 05060	power supply 24 V DC for operating of max. 1 pc. of flushing unit
SLD 04	- Supply No. 07040	remote control for an adjustment of parameters
SLA 10	- Supply No. 06100	stainless steel sieve for urinal NOVA PRO FELIX
SLA 11	- Supply No. 06110	deodorising urinal screen - orange colour, mango scent
SLA 11A	- Supply No. 06111	deodorising urinal screen - red colour, kiwi and grapefruit scent
SLA 11B	- Supply No. 06112	deodorising urinal screen - transparent colour, honeysuckle scent
SLA 11C	- Supply No. 06113	deodorising urinal screen - blue colour, cotton bloom scent
SLR 09	- Supply No. 08090	mounting frame for ceramic urinals with built-in flush or for ceramic washbasins
SLA 36	- Supply No. 06360	set of 4 pcs. alkaline batteries AA 1,5 V, 2700 mAh (for models with index B)
SANELA CONTROL APP		available for download on the App Store and Play Store