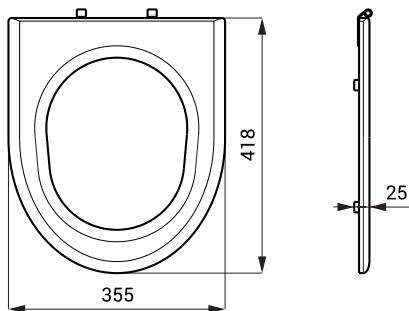
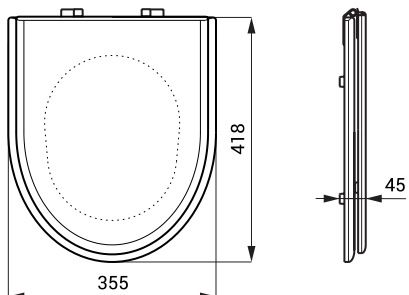


Black Toilet Cover Seats for SLWN SLZN 31A, SLZN 31C



SLZN 31A **95315** Black toilet cover seat without cover

- designed for stainless steel toilet
- **stainless steel pants**
- dimensions 418 x 355 x 25 mm
- hole dimensions 225 x 280 mm
- outer width 355 mm
- distance of front edge from screw axis 425 mm
- bolt spacing 158 mm
- weight 0,96 kg
- destined for SLWN 03, SLWN 04, SLWN 11, SLWN 13, SLWN 14, SLWN 15, SLWN 16



SLZN 31C **95313** Black toilet cover seat with cover

- designed for stainless steel toilet
- **stainless steel pants**
- dimensions 418 x 355 x 45 mm
- hole dimensions 225 x 280 mm
- outer width 355 mm
- distance of front edge from screw axis 425 mm
- bolt spacing 158 mm
- weight 2,6 kg
- destined for SLWN 03, SLWN 04, SLWN 11, SLWN 13, SLWN 14, SLWN 15, SLWN 16