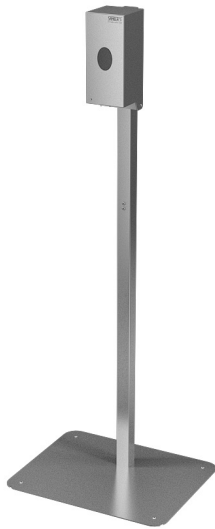


Automatic Stainless Steel Liquid/Gel Disinfection and Soap Dispenser with Stand SLZN 71ESB



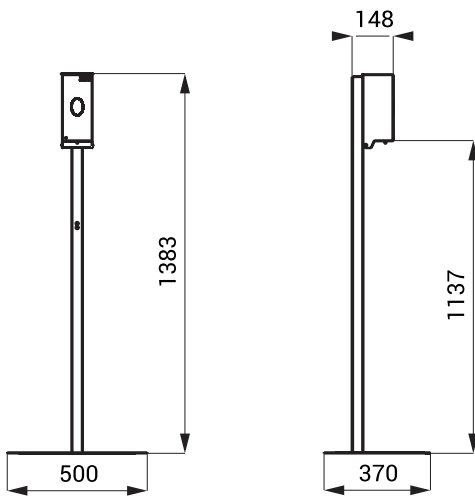
SLZN 71ESB

Characteristics



- suitable for medical facilities
- automatic stainless steel liquid/gel disinfection and soap dispenser with stand
- reacts to the hands in active range by start of single dose of disinfection or soap
- inner plastic container 0,85 l
- lockable
- material AISI - 304
- brushed finish

Dimensions



SLZN 71ESB

Technical Specification

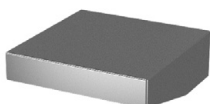
Dimensions	1383 x 500 x 370 mm
Operating voltage	4, 5 V
Battery life	approx. 2 years (100 uses per day)
3 ks alkaline batteries C LR14 1,5 V	
Volume	0,85 l

Supply Specification

SLZN 71ESB - Supply No. 85718 stainless steel dispenser, stand for fixing to the floor, 3 pcs. alkaline batteries C LR14 1,5 V

Recommended Accessories

SLZN 61 - Supply No. 95610 drip tray (dimensions: 108 x 108 x 35 mm)



SLZN 61

