

# Piezo Toilet Flushing Unit SLW 03PA

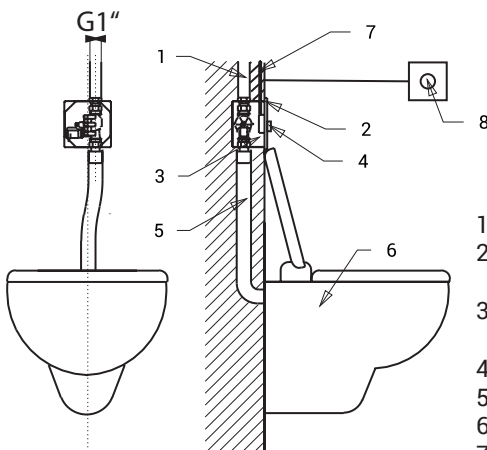


## Characteristics



- remote flush for disabled and persons with limited mobility
- vandal-proof
- suitable for prison
- with second piezo button for remote flushing
- special vandal-proof stainless steel cover, thickness 3 mm, safety screws
- toilet flushing unit for a pressure water from water distribution, isn't possible to use it for toilet with tank
- water flows after soft push of the piezo button
- adjustable flushing time 0,5 - 15,5 s, standard 5 s
- automatic hygiene flush after each 8 use of toilet and after 24 hours non-use
- electromagnetic valve with a possibility to regulate rate of flow, possibility to flush a toilet by turn of coil of the electromagnetic valve (f.e. in the case of electricity blackout)
- parameters adjustment by remote control SLD 04

## Dimensions



- 1 - water supply
- 2 - stainless steel cover with electronics
- 3 - mounting box with valve
- 4 - piezo button
- 5 - water outlet
- 6 - toilet bowl
- 7 - power supply
- 8 - second piezo button

## Technical Specification

<b>Stainless steel cover dimension</b>	160 x 170 x 3 mm
<b>Mounting box dimension</b>	145 x 155 x 100 mm
<b>Stainless steel cover dimension for remote flush</b>	85 x 90 x 3 mm
<b>Operating voltage</b>	24 V DC
<b>Power input</b>	7 W
<b>Recommended flow pressure</b>	0,15 - 0,6 MPa
<b>Rate of flow</b>	70 l/min. (inf. data)
<b>Water inlet</b>	Ø min. 32 mm (PN 16) male thread G 1"
<b>Water outlet</b>	male thread G 1"

## Supply Specification

<b>SLW 03PA - Supply No. 14036</b>	stainless steel cover with piezo electronics, stainless steel mounting box with brass screw coupling and electromagnetic valve, outlet fitting with rubber seal, torx screws (4 pcs.), stainless steel cover with piezo electronics for remote flushing, plastic mounting box, torx screws (2 pcs.), connecting cable (2500 mm), connectors
------------------------------------	---

## Recommended Accessories

<b>SLZ 01Y - Supply No. 05012</b>	power supply 24 V DC for operating of max. 5 pcs. of flushing units
<b>SLZ 01Z - Supply No. 05011</b>	power supply 24 V DC for operating of max. 9 pcs. of flushing units
<b>SLZ 04Y - Supply No. 05042</b>	power supply 24 V DC on DIN rail, for operating of max. 5 pcs. of flushing units
<b>SLZ 04Z - Supply No. 05041</b>	power supply 24 V DC on DIN rail, for operating of max. 9 pcs. of flushing units
<b>SLZ 04X - Supply No. 10049</b>	power supply 24 V DC on DIN rail, for operating of max. 15 pcs. of flushing units
<b>SLD 04 - Supply No. 07040</b>	remote control for an adjustment of parameters
<b>SLR 03 - Supply No. 08030</b>	mounting frame for hanging toilet and flushing unit SLW 01xx, SLW 03PA
<b>SLR 03N - Supply No. 08031</b>	mounting frame to the plasterboard for hanging toilet and flushing unit SLW 01xx, SLW 03PA
<b>SLR 03Z - Supply No. 08033</b>	mounting frame to the wall for hanging toilet and flushing unit SLW 01xx, SLW 03PA
<b>SLA 04 - Supply No. 06040</b>	plastic connection between the flushing and the toilet