

Stainless Steel Urinal SLPN 09



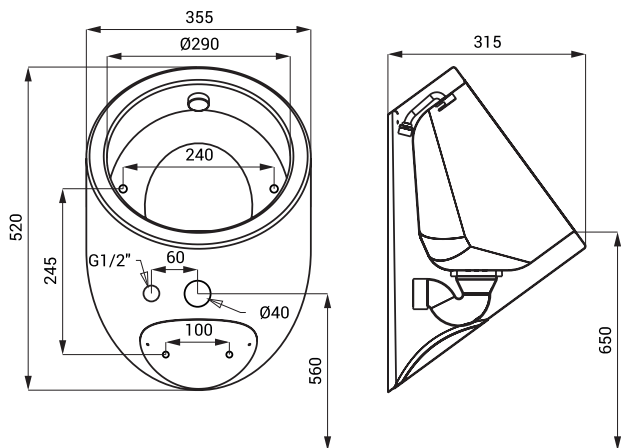
SLPN 09

Characteristics



- vandal-proof
- suitable for a prison
- stainless steel wall hung urinal with integrated flushing head
- rear assembling through the service hatch
- material stainless steel AISI 304 (1.4301)
- brushed finish

Dimensions



Technical Specification

Dimensions	520 x 355 x 315 mm
Weight	6,34 kg
Water inlet	male thread G 1/2"

* for the height of the front edge of the urinal 650 mm above the floor

Supply Specification

SLPN 09 - Supply No. 91090 stainless steel urinal with flushing head, coupling hoses, angle valve with filter, mounting set, siphon

Recommended Accessories

SLR 10 - Supply No. 08100 mounting frame for stainless steel urinals with built-in flush or stainless steel washbasins