

# Stainless Steel Urinal SLPN 06



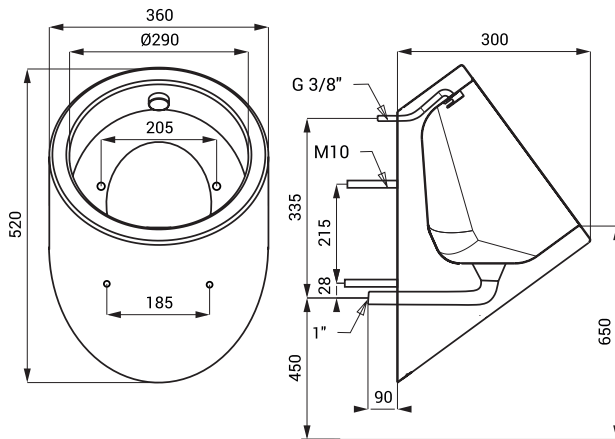
SLPN 06

## Characteristics



- **vandal-proof**
- **suitable for a prison**
- stainless steel wall hung urinal with integrated flushing head
- filled with expanded polyurethane (to avoid dents and typical metal noise)
- **rear assembling by screws (M10, length 190 mm), from the service room**
- material AISI - 304
- brushed finish

## Dimensions



## Technical Specification

Water inlet

male thread G 3/8"

\* for the height of the front edge of the urinal 650 mm above the floor

## Supply Specification

SLPN 06 - Supply No. 91060 stainless steel urinal with flushing head, screws M10 (4 pcs.), stainless steel waste