

Automatic Black Urinal Flushing Unit SLP 03KV

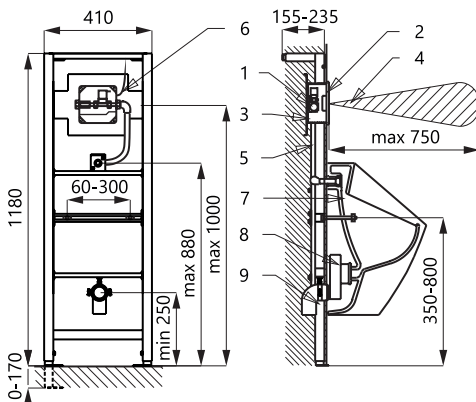


SLP 03KV

Characteristics

- including pre-installed mounting frame SLR 22
- is destined for plasterboard constructions, for mounting to the floor and to the back wall
- metal frame construction with surface finishing - blue powder coated
- mounting screws M10 and M8, waste pipe holder with the elbow pipe \varnothing 50 mm and watter inlet G 1/2"
- system reacts to the user attendance in front of the urinal at a maximum distance of 0,7 m, minimum stay time in active range is 7,5 s
- water flows after the user leaves active range
- adjustable flushing time from 0,5 to 15,5 s
- parameters adjustment by remote control SLD 03
- automatic hygiene flushing after 24 hours non-use
- monitoring of battery capacity (for models with index B)
- possibility to regulate a water flow by the ball valve

Installation Drawing



- 1 - water inlet
- 2 - stainless steel cover with electronics
- 3 - plastic mounting box with ball valve and electromagnetic valve
- 4 - active range
- 5 - outlet from urinal
- 6 - power supply 24 V DC (SLP 03KV), 230 V AC (SLP 03KVZ)
- 7 - urinal
- 8 - siphon
- 9 - mounting frame SLR 22

Technical Specification

Stainless steel cover dimension	170 x 170 x 10 mm
Mounting box dimension	140 x 140 x 75 mm
Mounting frame dimensions	1180 - 1350 x 410 x 155 - 235 mm
Operating voltage	
▪ SLP 03KV	24 V DC
▪ SLP 03KVZ	230 V AC/50 Hz
▪ SLP 03KVB	6 V
Power input	
▪ operating by 24 V DC	7 W
▪ operating by 6 V	3 W
Active range	0,6 - 0,75 m
Recommended flow pressure	0,1 - 0,6 MPa
Rate of flow	18 l/min (inf. data)
Water inlet	male thread G 3/4"
Water outlet	inlet fitting with a rubber sealing

Supply Specification

SLP 03KV	- Supply No. 01113	stainless steel cover with electronics, plastic mounting box with brass screw coupling, electromagnetic valve and ball valve, power supply (SLP 03KVZ), 4 pcs. AA alkaline batteries 1,5 V 2700 mAh (SLP 03KVB), connecting flexi hose, inlet fitting with a rubber sealing, mounting frame SLR 22
SLP 03KVZ	- Supply No. 01115	
SLP 03KVB	- Supply No. 01114	

Recommended Accessories

SLZ 01Y	- Supply No. 05012	power supply 24 V DC for operating of max. 5 pcs. of flushing units
SLZ 01Z	- Supply No. 05011	power supply 24 V DC for operating of max. 9 pcs. of flushing units
SLZ 04Y	- Supply No. 05042	power supply 24 V DC on DIN rail, for operating of max. 5 pcs. of flushing units
SLZ 04Z	- Supply No. 05041	power supply 24 V DC on DIN rail, for operating of max. 9 pcs. of flushing units
SLZ 04X	- Supply No. 10049	power supply 24 V DC on DIN rail, for operating of max. 15 pcs. of flushing units
SLD 03	- Supply No. 07030	remote control for an adjustment of parameters
SLA 36	- Supply No. 06360	set of 4 pcs. alkaline batteries AA 1,5 V, 2700 mAh (for models with index B)